

### SPECIFICATIONS

材质Material:

绝缘体 (Insulator): Polyester (UL94V-0)  
Standard: PA6T Black

接触件Contacts: Brass

接触电镀Contact Plating: Au or Sn over 30 μ" Ni

电气性能Electrical Characteristics:

接触电阻Contact Resistance: 20mΩ Max.

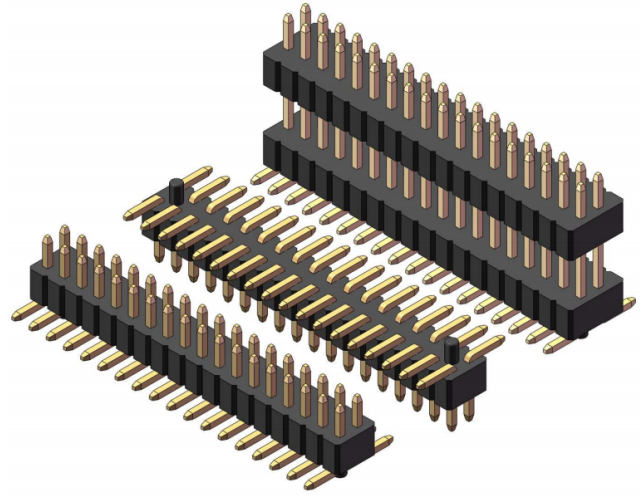
绝缘电阻Insulator Resistance: 1000MΩ Min.

耐电压Withstanding Voltage: AC 500V

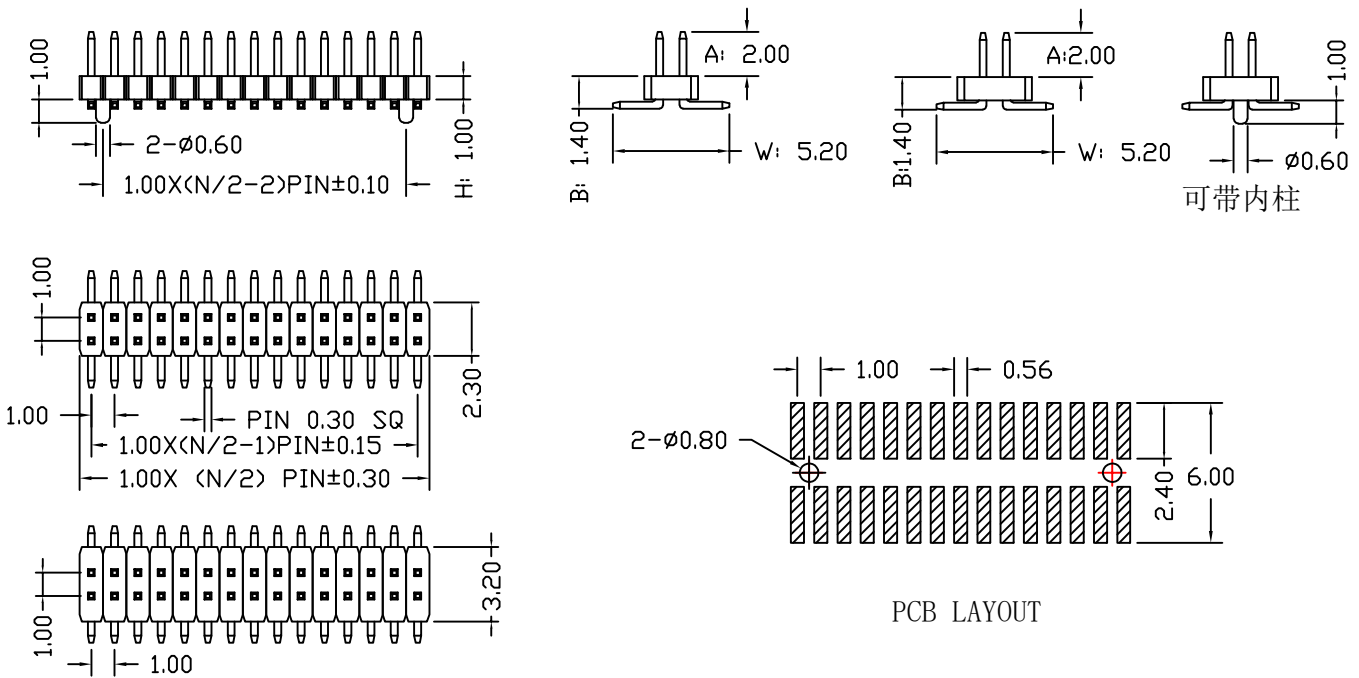
额定电流Current Rating: 0.75 AMP

适用温度范围Operating Temperature: -40°C to +105°C

耐温性能Temperature resistancet: 255°C ±5°C, 3s-5s max



Unit:mm



### 订购方法 How To Order

<b>1.00排针</b>	<b>H</b>	<b>B</b>	<b>XX</b>	<b>M</b>	<b>T/A</b>	<b>G 0</b>	<b>XXX</b>
Plastics Height H=1.0mm (单排塑宽1.3、 双排塑宽2.3/3.2) H=1.5mm (单排塑宽1.3、1.5 双排塑宽2.3、3.2)	Material Type A=PBT B=Nylon-6T C=LCP D=Nylon-46	NO. of Positions Per Row 02 thra 100	S: Straight(180°) R: Right Angle(90°) M: S.M.T	T: TIN(镀锡) A: Aureate (镀金)	Contact Plating SN: Tin G0: Gold Flash G2: 5u" Gold G3: 10u" Gold G4: 15u" Gold G5: 30u" Gold S0: Gold Flash/Tin Standard: G0	Pin Length XXX=A+B+ (W-1.00+0.15)/2-0.3	

常规表达: 型号 (1.0排针座) - 胶芯高度 (H) - 材质 (PA6T) - 规格 (2\*XXP) - 类型 (M) - 接触件镀层 (XXU") - 尺寸 (XXX)

\* 其它要求的产品另外说明 Other requests's product on the other hand description