

SPECIFICATIONS

材质Material:

绝缘体 (Insulator): Polyester (UL94V-0)
Standard: PA6T Black

接触件Contacts: Brass

接触电镀Contact Plating: Au or Sn over 30 μ" Ni

电气性能Electrical Characteristics:

接触电阻Contact Resistance: 20mΩ Max.

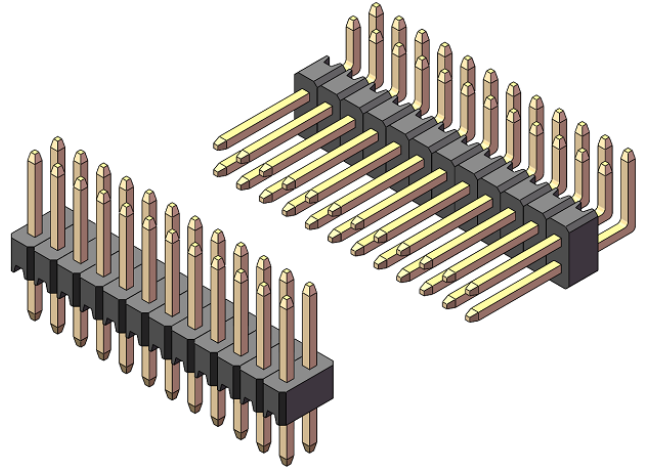
绝缘电阻Insulator Resistance: 1000MΩ Min.

耐电压Withstanding Voltage: AC 500V

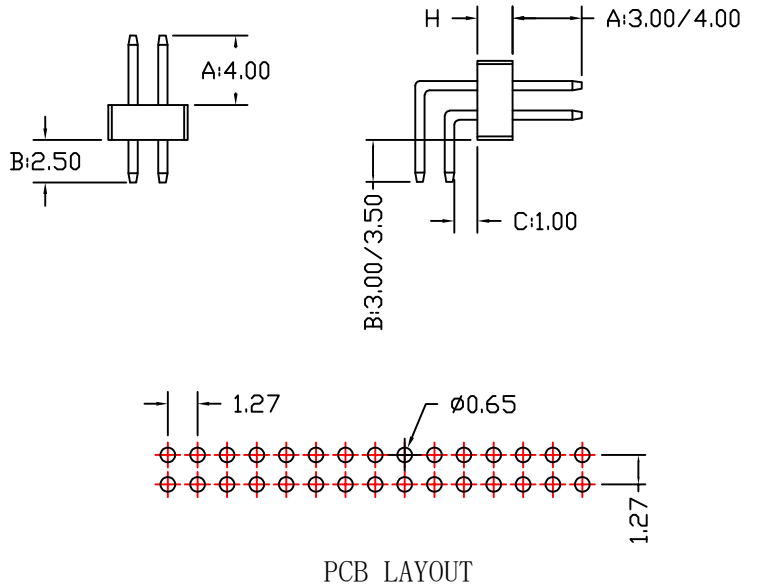
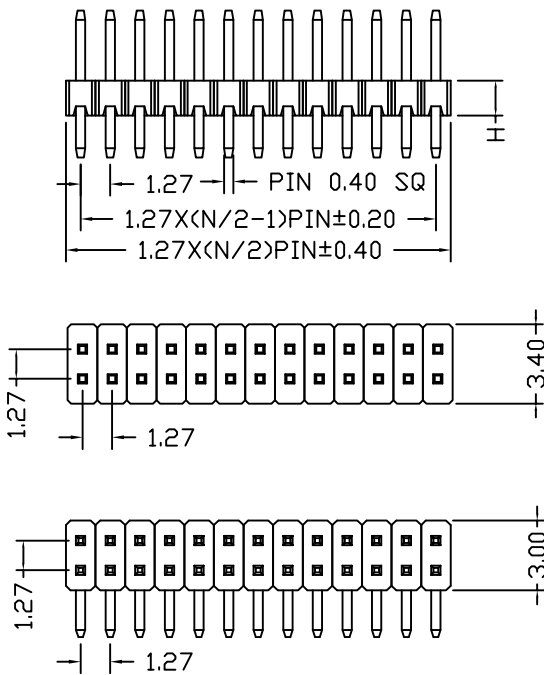
额定电流Current Rating: 1.0 AMP

适用温度范围Operating Temperature: -40°C to +105°C

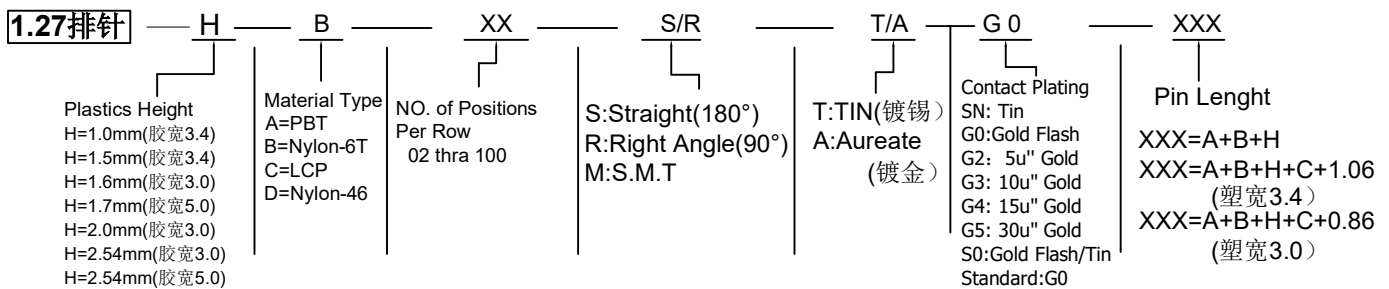
耐温性能Temperature resistancet: 255°C ±5°C, 3s-5s max



Unit:mm



订购方法 How To Order



常规表达: 型号 (1.27双排针座) - 胶芯高度 (H) - 材质 (PA6T) - 规格 (2*XXP) - 类型 (S/R) - 接触件镀层 (XXU") - 尺寸 (XXX)

* 其它要求的产品另外说明 Other requests's product on the other hand description