

SPECIFICATIONS

材质Material:

绝缘体 (Insulator): Polyester (UL94V-0)
Standard: PA6T Black

接触件Contacts: Brass

接触电镀Contact Plating: Au or Sn over 30 μ" Ni

电气性能Electrical Characteristics:

接触电阻Contact Resistance: 20mΩ Max.

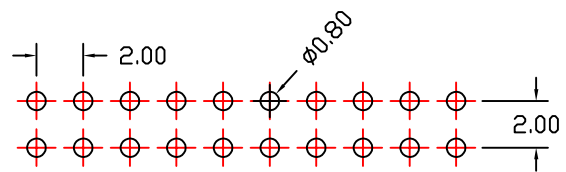
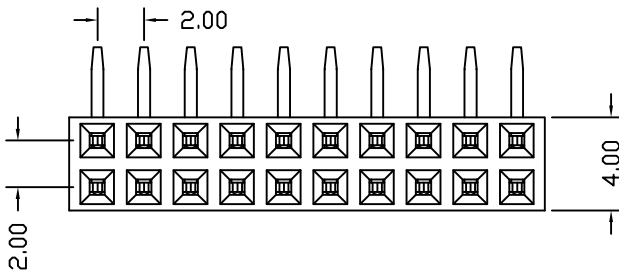
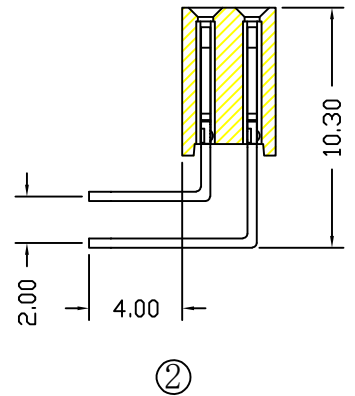
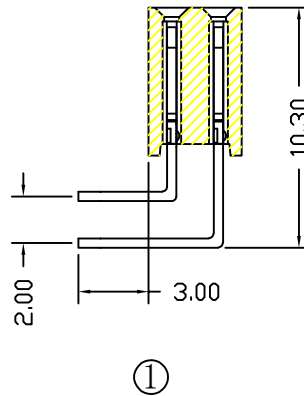
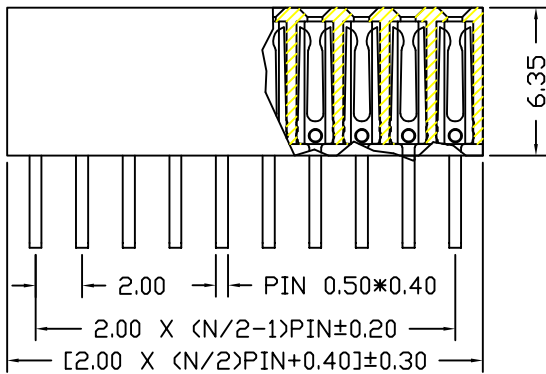
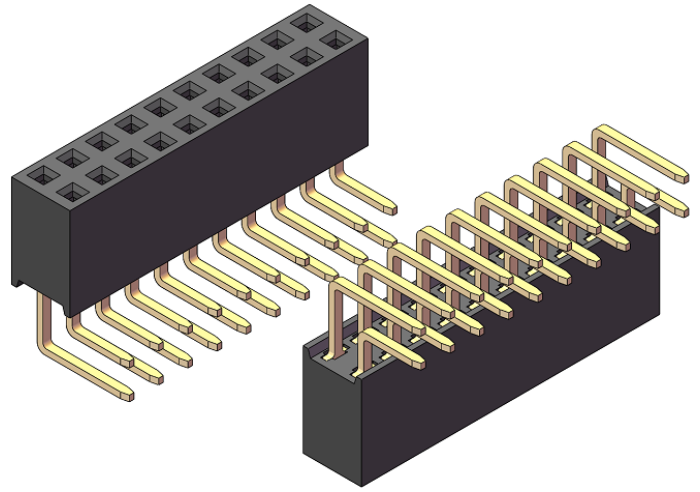
绝缘电阻Insulator Resistance: 1000MΩ Min.

耐电压Withstanding Voltage: AC 500V

额定电流Current Rating: 1.5 AMP

适用温度范围Operating Temperature: -40°C to +105°C

耐温性能Temperature resistancet: 255°C ±5°C, 3s-5s max



PCB LAYOUT

订购方法 How To Order

2.0排母	H	B	XX	R	T/A	G 0	XXX
Plastics Height H=6.35mm	Material Type A=PBT B=Nylon-6T C=LCP D=Nylon-46	NO. of Positions Per Row 2x40	S: Straight(180°) R: Right Angle(90°) M: S.M.T	T: TIN(镀锡) A: Aureate (镀金)	Contact Plating SN: Tin G0: Gold Flash G2: 5u" Gold G3: 10u" Gold G4: 15u" Gold G5: 30u" Gold S0: Gold Flash/Tin Standard: G0	Pin Length H6.35 Y端 1. 90度端子 (L10.5/14.5) 2. 90度端子 (L11.75/15.75)	

常规表达: 型号 (2.0排母座) - 胶芯高度 (H) - 规格 (2*XXP) - 类型 (R) - 接触件镀层 (XXU") - 尺寸 (PC: 3.00/4.00)

* 其它要求的产品另外说明 Other requests's product on the other hand description