

#### SPECIFICATIONS

材质Material:

绝缘体 (Insulator): Polyester (UL94V-0)  
Standard: PA6T Black

接触件Contacts: Brass

接触电镀Contact Plating: Au or Sn over 30 μ" Ni

电气性能Electrical Characteristics:

接触电阻Contact Resistance: 20mΩ Max.

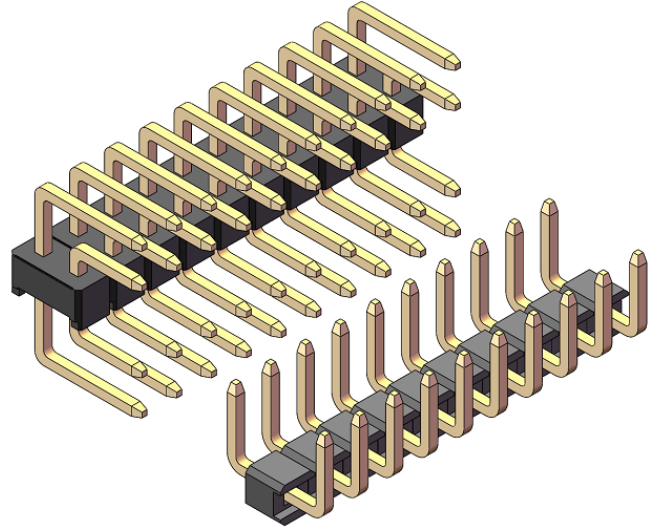
绝缘电阻Insulator Resistance: 1000MΩ Min.

耐电压Withstanding Voltage: AC 500V

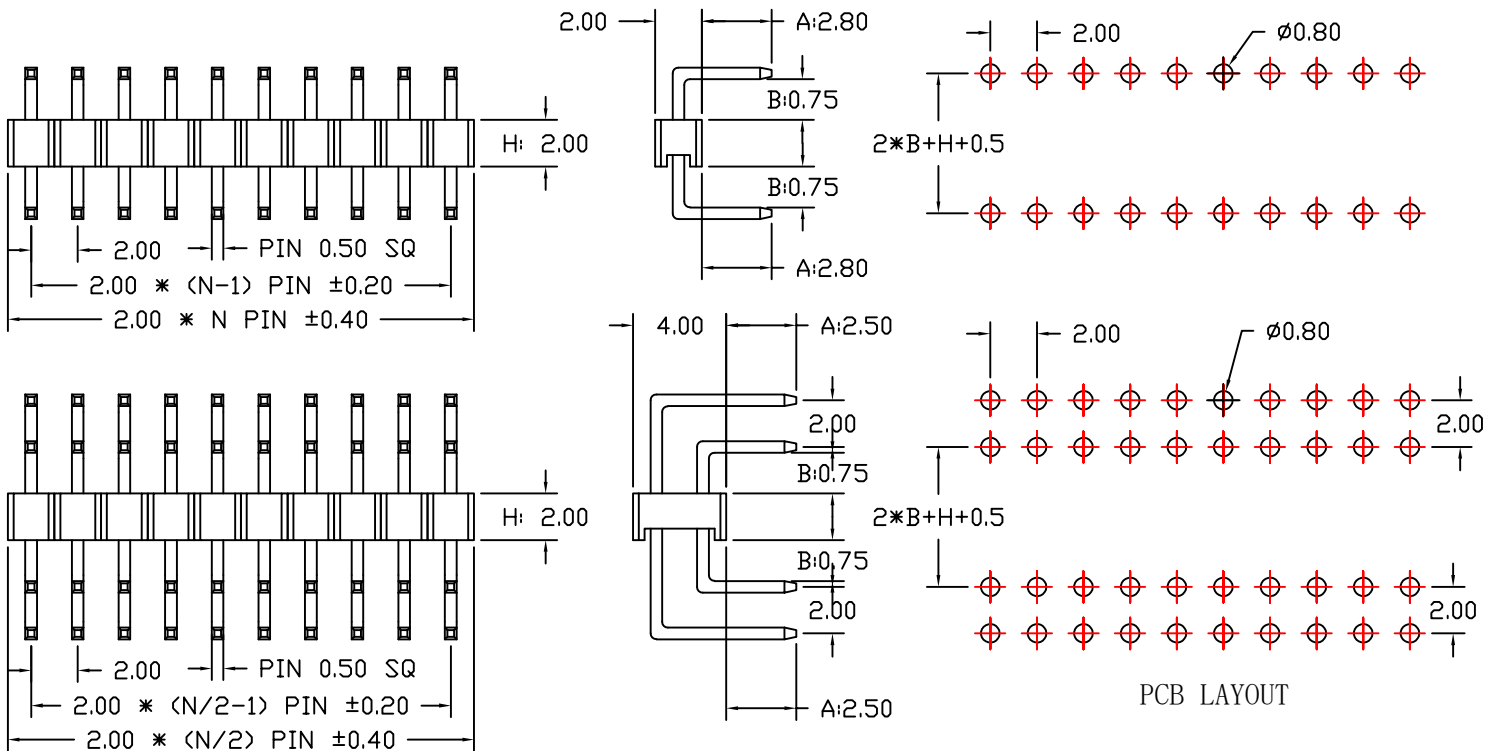
额定电流Current Rating: 1.5 AMP

适用温度范围Operating Temperature: -40°C to +105°C

耐温性能Temperature resistancet: 255°C ±5°C, 3s-5s max



Unit:mm



#### 订购方法 How To Order

<b>2.0排针</b>	<b>H</b>	<b>B</b>	<b>XX</b>	<b>R</b>	<b>T/A</b>	<b>G 0</b>	<b>XXX</b>
Plastics Height H=1.0mm H=1.5mm H=2.0mm	Material Type A=PBT B=Nylon-6T C=LCP D=Nylon-46	NO. of Positions Per Row 01 thru 40 2 X 80	S: Straight(180°) R: Right Angle(90°) M: S.M.T	T: TIN(镀锡) A: Aureate (镀金)	Contact Plating SN: Tin G0: Gold Flash G2: 5u" Gold G3: 10u" Gold G4: 15u" Gold G5: 30u" Gold S0: Gold Flash/Tin Standard: G0	Pin Length XXX=(A+B+1.0)X2+2.00	

常规表达: 型号 (2.0单/双排针座U型) - 胶芯高度(H) - 材质 (PA6T) - 规格 (1 or 2\*XXP) - 类型 (R) - 接触件镀层 (XXU") - 尺寸 (XXX)

\* 其它要求的产品另外说明 Other requests's product on the other hand description