

#### SPECIFICATIONS

材质Material:

绝缘体 (Insulator): Polyester (UL94V-0)  
Standard: PBT Black

接触件Contacts: Brass

接触电镀Contact Plating: Au or Sn over 30 μ" Ni

电气性能Electrical Characteristics:

接触电阻Contact Resistance: 20mΩ Max.

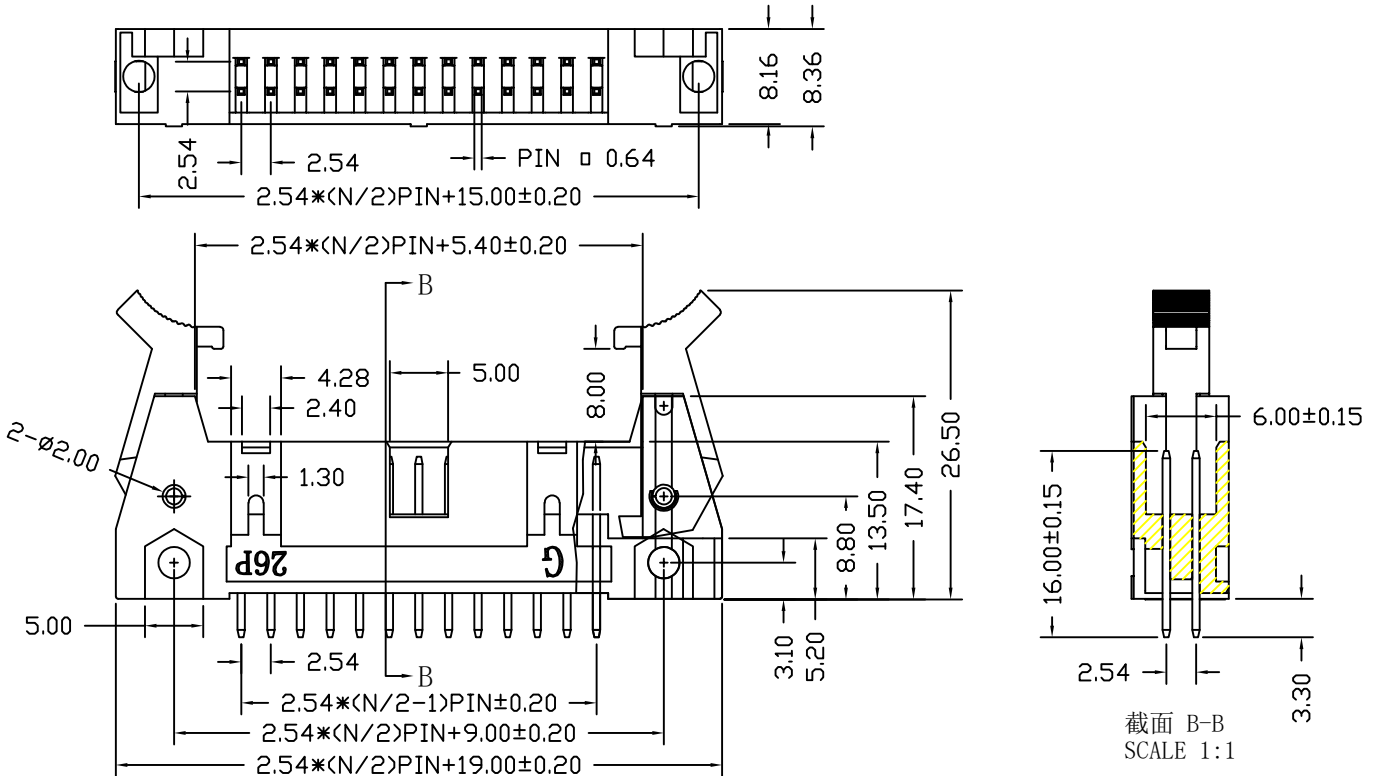
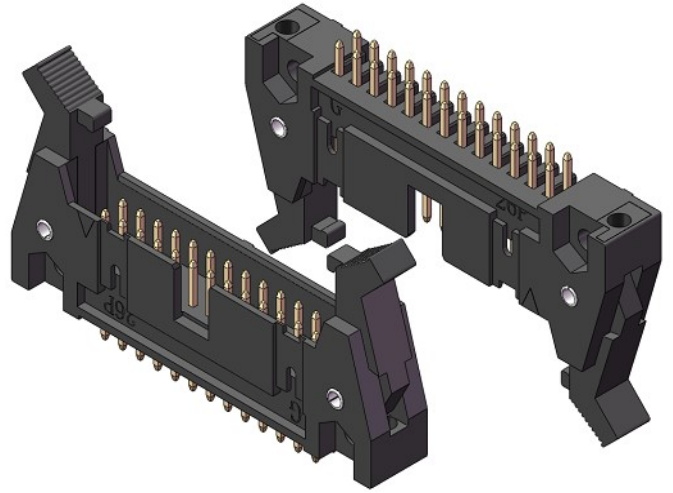
绝缘电阻Insulator Resistance: 1000MΩ Min.

耐电压Withstanding Voltage: AC 500V

额定电流Current Rating: 3 AMP

适用温度范围Operating Temperature: -40°C to +105°C

耐温性能Temperature resistancet: 205°C ± 5°C, 3s-5s max



#### 订购方法 How To Order

|               |   |                                     |  |                                |   |                                  |            |
|---------------|---|-------------------------------------|--|--------------------------------|---|----------------------------------|------------|
| <b>2.54牛角</b> | <b>A</b>  | <b>A</b>                            | <b>XX</b>  | <b>S</b>                       | <b>T/A</b>  | <b>G 0</b>                       | <b>XXX</b> |
| A=勾勾牛角        | Material Type<br>A=PBT<br>B=Nylon-6T<br>C=LCP<br>D=Nylon-46 | NO. of Positions<br>Per Row 08 ~ 64 | S: Straight (180°)<br>R: Right Angle (90°)<br>M: S.M.T | T: TIN (镀锡)<br>A: Aureate (镀金) | Contact Plating<br>SN: Tin<br>G0: Gold Flash<br>G2: 5u" Gold<br>G3: 10u" Gold<br>G4: 15u" Gold<br>G5: 30u" Gold<br>S0: Gold Flash/Tin<br>Standard: G0 | Pin Length<br>(PC外露)<br>PC= 3.30 |            |

常规表达: 型号 (2.54牛角) - 类型 (勾勾牛角) - 规格 (XXP) - 类型 (S) - 接触件镀层 (XXU") - PC尺寸 (PC=XX)

\* 其它要求的产品另外说明 Other requests's product on the other hand description