

SPECIFICATIONS

材质Material:

绝缘体 (Insulator): Polyester (UL94V-0)
Standard: PBT Black

接触件Contacts: Brass

接触电镀Contact Plating: Au or Sn over 30 μ" Ni

电气性能Electrical Characteristics:

接触电阻Contact Resistance: 20mΩ Max.

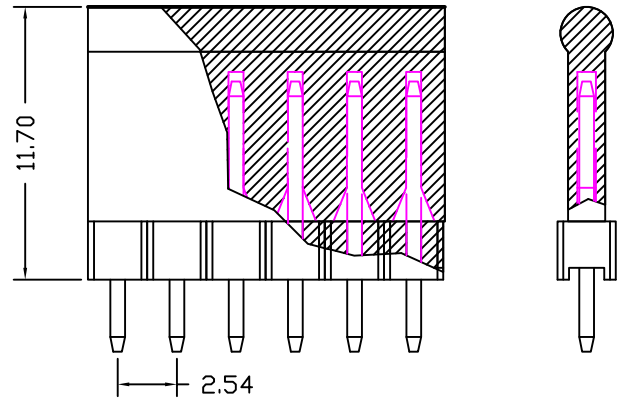
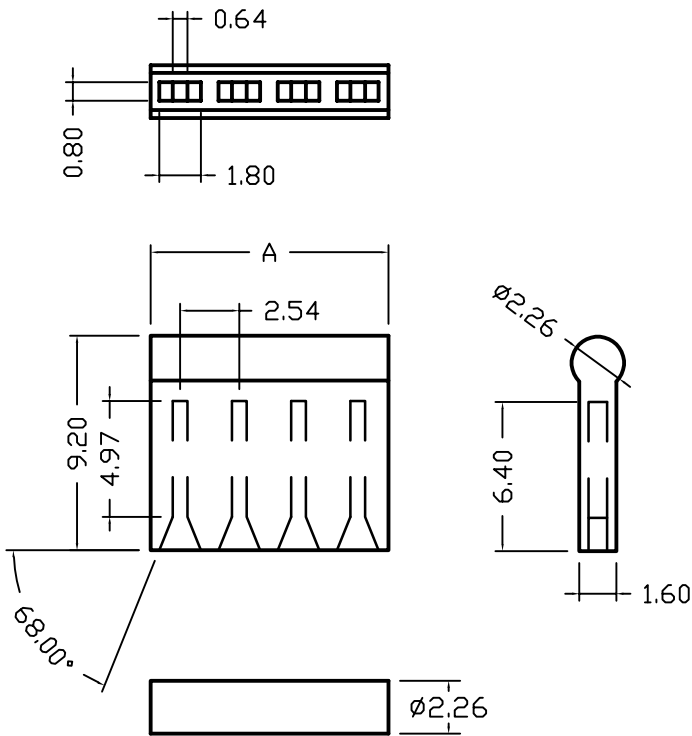
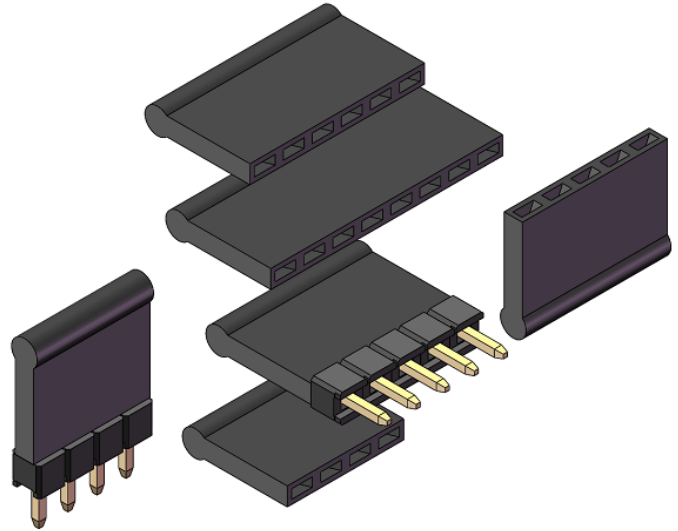
绝缘电阻Insulator Resistance: 1000MΩ Min.

耐电压Withstanding Voltage: AC 500V

额定电流Current Rating: 3 AMP

适用温度范围Operating Temperature: -40°C to +105°C

耐温性能Temperature resistance: 205°C ± 5°C, 3s-5s max

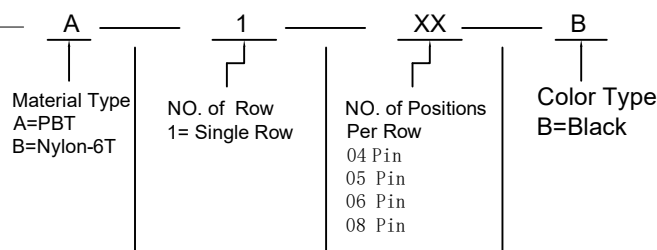


保护罩对插排针示意图

PIN NO.	A
04	10.20
05	12.70
06	15.30
08	20.32

订购方法 How To Order

2.54 排针保护罩



常规表达: 型号 (2.54单排针保护罩) - 材质 (PBT) - 规格 (XXP) - 颜色 (B)

* 其它要求的产品另外说明 Other requests's product on the other hand description