

SPECIFICATIONS

材质Material:

绝缘体 (Insulator): Polyester (UL94V-0)
Standard: PBT Black

接触件Contacts: Brass

接触电镀Contact Plating: Au or Sn over 30 μ" Ni

电气性能Electrical Characteristics:

接触电阻Contact Resistance: 20mΩ Max.

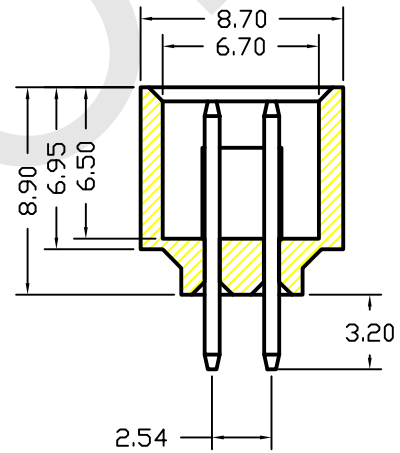
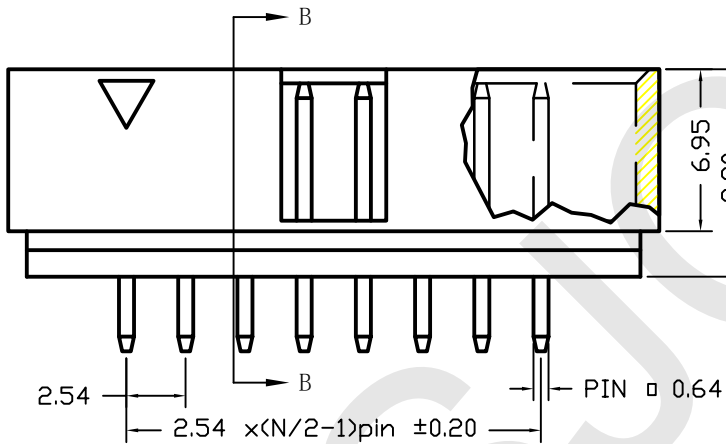
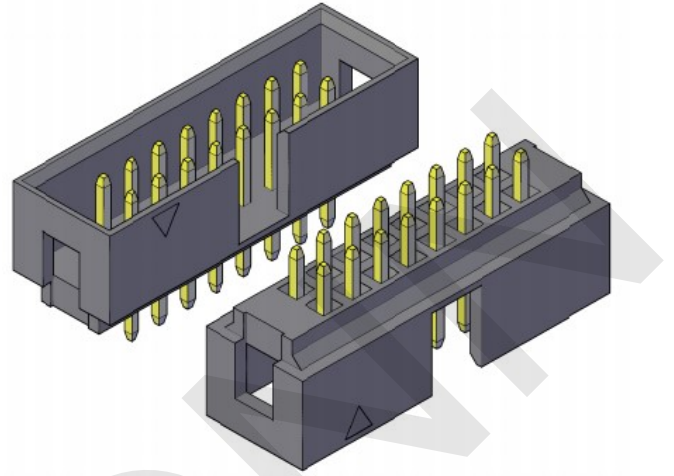
绝缘电阻Insulator Resistance: 1000MΩ Min.

耐电压Withstanding Voltage: AC 500V

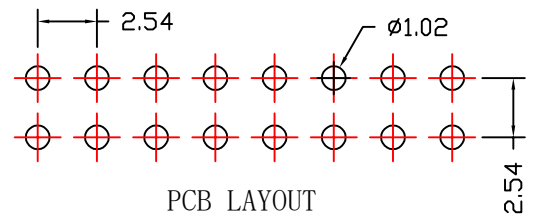
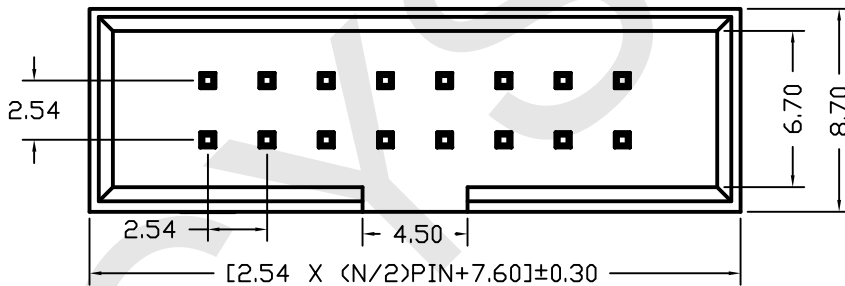
额定电流Current Rating: 3 AMP

适用温度范围Operating Temperature: -40°C to +105°C

耐温性能Temperature resistancet: 205°C ± 5°C, 3s-5s max



截面 B-B
SCALE 1:1



订购方法 How To Order

2.54筒牛

A=常规方形筒牛
B=常规U型筒牛
C=异形开口筒牛
D=特殊筒牛

Material Type
A=PBT
B=Nylon-6T
C=LCP
D=Nylon-46

NO. of Positions
Per Row 06 ~ 64

S: Straight (180°)
R: Right Angle (90°)
M: S.M.T

T: TIN (镀锡)
A: Aureate (镀金)

Contact Plating
SN: Tin
G0: Gold Flash
G2: 5u" Gold
G3: 10u" Gold
G4: 15u" Gold
G5: 30u" Gold
S0: Gold Flash/Tin
Standard: G0

Pin Length
(PC外露)
PC = 3.20

常规表达: 型号 (2.54筒牛异形开口) - 胶芯高度 (H) - 规格 (XXP) - 类型 (S) - 接触件镀层 (XXU") - PC尺寸 (PC=XX)

* 其它要求的产品另外说明 Other requests's product on the other hand description