

SPECIFICATIONS

材质Material:

绝缘体 (Insulator): Polyester (UL94V-0)
Standard PA6T

接触件Contacts: Brass

接触电镀Contact Plating: Au or Sn over 30 μ" Ni

电气性能Electrical Characteristics:

接触电阻Contact Resistance: 20mΩ Max.

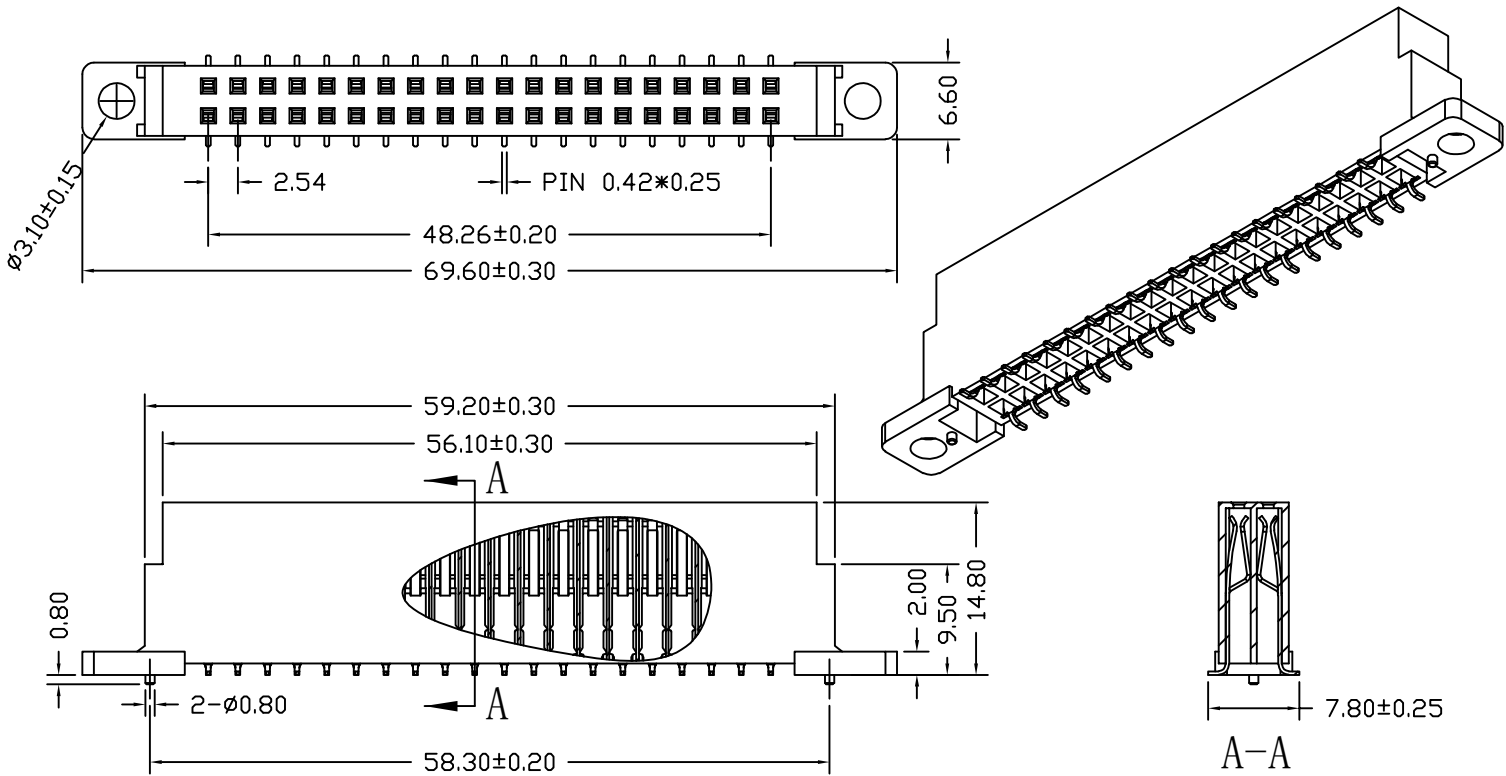
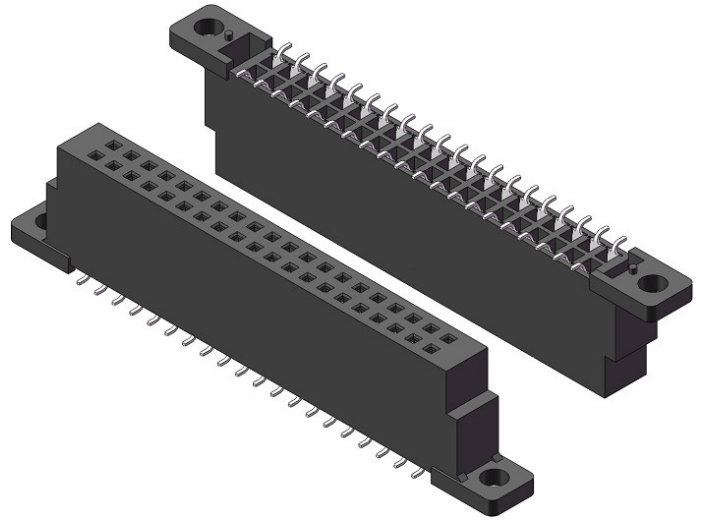
绝缘电阻Insulator Resistance: 1000MΩ Min.

耐电压Withstanding Voltage: AC 500V

额定电流Current Rating: 3 AMP

适用温度范围Operating Temperature: -40°C to +105°C

耐温性能Temperature resistancet: 255°C ± 5°C, 3s-5s max



订购方法 How To Order

40P	B	XX	M	T/A	SN
	Material Type A=PBT B=Nylon-6T C=LCP	NO. of Positions Per Row 40Pin	S: Straight(180°) R: Right Angle(90°) M: S.M.T	T: TIN(镀锡) A: Aureate (镀金)	Contact Plating SN: Tin G0: Gold Flash S0: Gold Flash/Tin S3: 10u" Gold/Tin S4: 15u" Gold/Tin S5: 30u" Gold/Tin Standard: S 0

常规表达: 型号 (40P网络接口) - 材质 (PA6T) - 规格 (40P) - 类型 (M) - 接触件镀层 (XXU") - 尺寸 (XXX)

* 其它要求的产品另外说明 Other requests's product on the other hand description