

SPECIFICATIONS

材质Material:

绝缘体 (Insulator): Polyester (UL94V-0)
Standard: PBT Black

接触件Contacts: Brass

接触电镀Contact Plating: Au or Sn over 30 μ" Ni

电气性能Electrical Characteristics:

接触电阻Contact Resistance: 20mΩ Max.

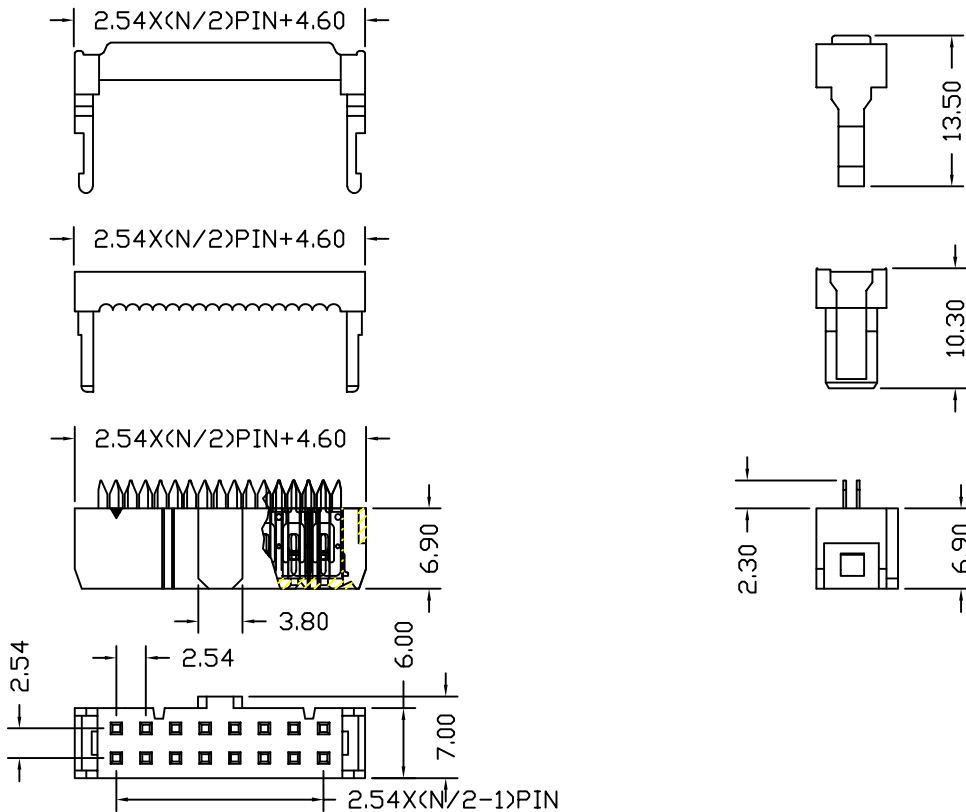
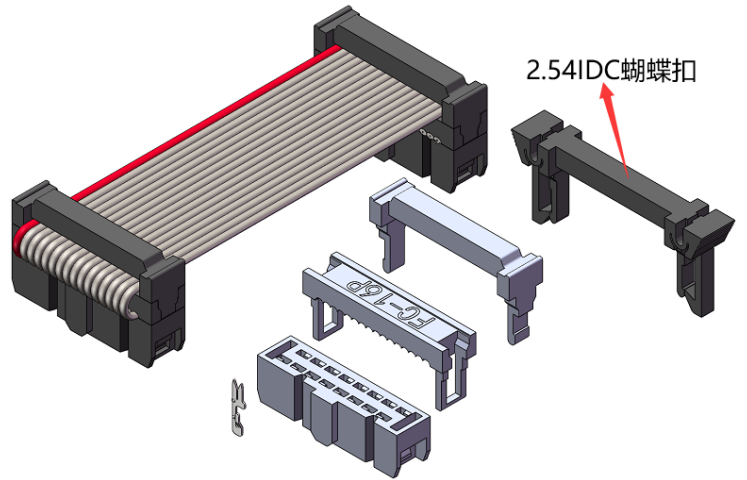
绝缘电阻Insulator Resistance: 1000MΩ Min.

耐电压Withstanding Voltage: AC 500V

额定电流Current Rating: 3 AMP

适用温度范围Operating Temperature: -40°C to +105°C

耐温性能Temperature resistance: 205°C ± 5°C, 3s-5s max



订购方法 How To Order

2.54 FC	C	A	XX	S	T/A	Ni	XXX
A=One Type B=Two Type C=Three Type	Material Type A=PBT B=Nylon-6T C=LCP D=Nylon-46	NO. of Positions Per Row 06 ~ 64	S: Straight (180°) R: Right Angle (90°) M: S.M.T	T: TIN (镀锡) A: Aureate (镀金)	Contact Plating Ni: Nickel SN: Tin G0: Gold Flash G2: 5u" Gold G3: 10u" Gold G4: 15u" Gold G5: 30u" Gold S0: Gold Flash/Tin Standard: G0	Pin Length 2.54 FC 端子	

常规表达: 型号 (2.54FC) - 材质 (PBT) - 规格 (XXP) - 类型 (S) - 接触件镀层 (XXU") - 尺寸 (XXX)

* 其它要求的产品另外说明 Other requests's product on the other hand description