

Version	Version of this description	DATE
A	NEW DRAWINGS ISSUED	2022/12/21
B	DESIGN CHANGES	2023/11/24

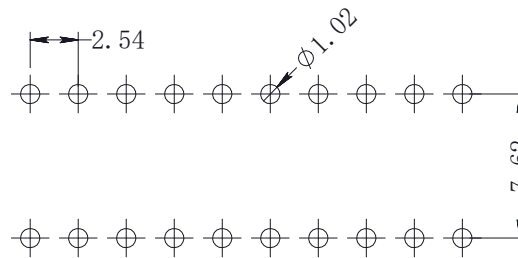
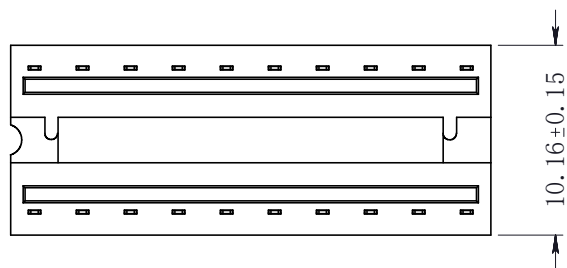
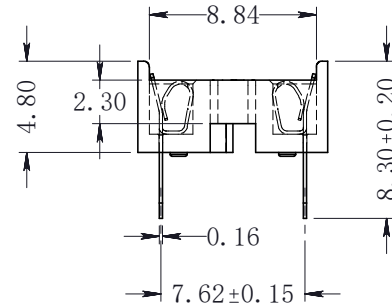
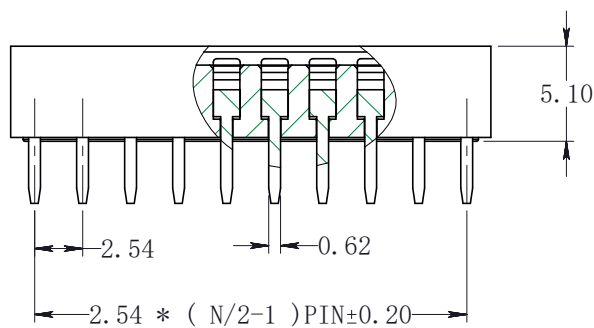
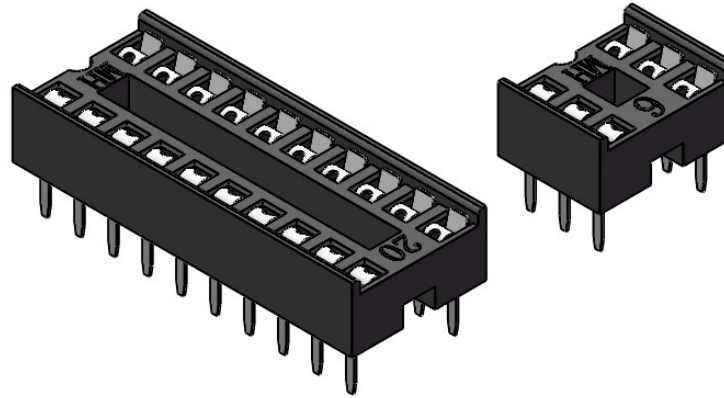
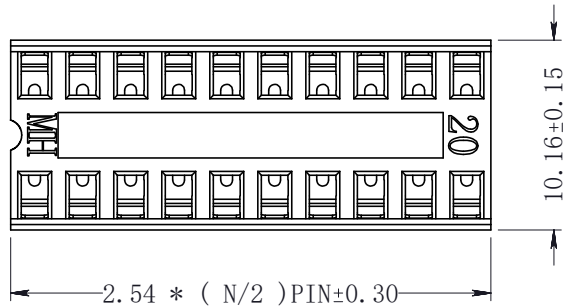
### 技术参数 (SPECIFICATIONS)

#### 材料 (Material):

Insulator: Glass filled PBT (UL94V-0), Black  
 绝缘体 (外壳): PBT加玻璃纤维 (防火等级V-0), 黑色  
 Contacts: Phosphor Bronze  
 接触件: 磷铜  
 Plating: Nickelage  
 电镀: 镀镍

#### 电气特性 (Electrical Characteristics):

Contact Resistance: 20mΩ Max.  
 接触电阻: 20mΩ Max.  
 Insulator Resistance: 1000MΩ Min.  
 绝缘电阻: 1000MΩ Min.  
 Withstanding Voltage: AC 500V  
 耐压值: AC 500V  
 Currrent Rating: 1 AMP  
 额定电流: 1 AMP  
 Operating Temperature range: -40°C to +105°C  
 适用温度范围: -40°C to +105°C  
 Resistance to Soldering Heat: 205°C ± 5°C 3-5s  
 耐焊接热: 205°C ± 5°C 3-5秒  
 Spacing: 2.54  
 间距: 2.54



PCB LAYOUT

PIN 数	包装数量
6P	80PCS/吸塑管
8P	60PCS/吸塑管
14P	34PCS/吸塑管
16P	30PCS/吸塑管
18P	26PCS/吸塑管
20P	24PCS/吸塑管
24P	20PCS/吸塑管
28P	17PCS/吸塑管

注: 尺寸“N”表示所需要的PIN数

\*未标明公差按公差分段\*

Linear dimension (Tolerances Standard GB/T 14486-2008)										
variable range	to	over	over	over	over	over	over	over	over	over
		6	10	30	60	100	160	10	100	100
tolerance	±0.20	±0.30	±0.50	±0.70	±1.00	±1.30	±1.60	0.10	0.30	0.60

塑胶材质	电镀处理	UNITS	SCALE	Approved	Design	Product name	2.54间距 IC芯片插座直插			
PBT	Nickelage	MM	2.5:1	ZHAOZHEN JIANG	CHEN YUN	<b>CYSJCONN</b>				
公差分段	>10 <10 <3	±0.30 ±0.25 ±0.10	 The third perspective		PARTS DRAWING		PAGES	1/1	Drawing	A4