

VERSION	VERSION OF THIS DESCRIPTION	DATE
A	NEW DRAWINGS ISSUED	2023/8/17
B	DESIGN CHANGES	2023/8/17

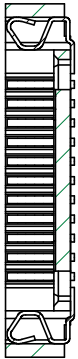
技术参数 (SPECIFICATIONS)

材料 (Material):

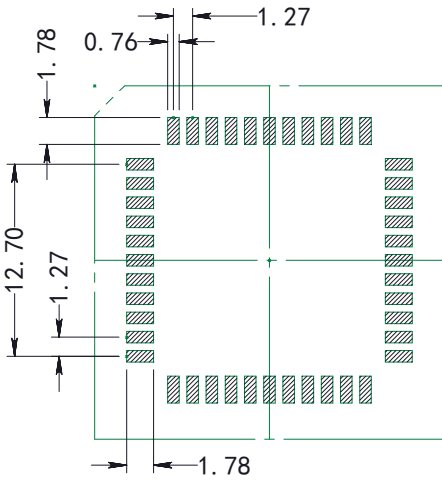
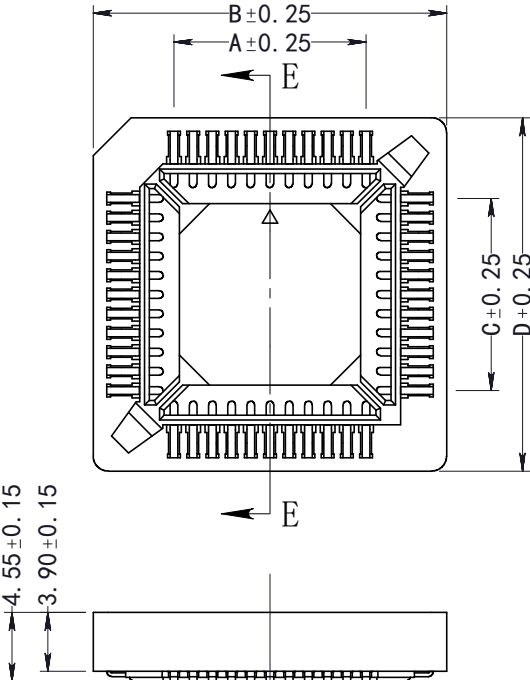
Insulator: Glass filled PPS (UL94V-0), Coffee
 绝缘体 (外壳): PPS加玻璃纤维 (防火等级V-0), 咖啡色
 Contacts: Phosphor Bronze
 接触件: 磷青铜
 Plating: Tin
 电镀: 镀锡

电气特性 (Electrical Characteristics):

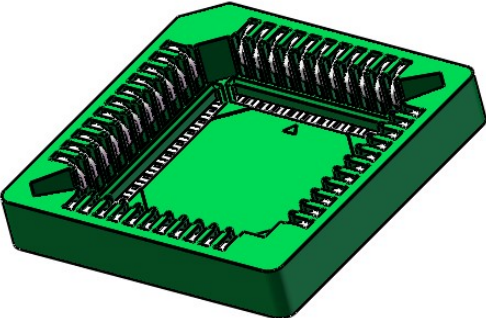
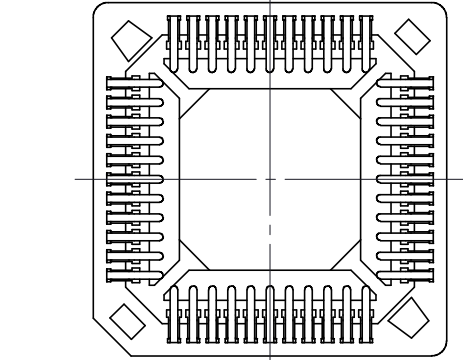
Contact Resistance: 30mΩ Max.
 接触电阻: 30mΩ Max.
 Insulator Resistance: 1000MΩ Min.
 绝缘电阻: 1000MΩ Min.
 Withstanding Voltage: AC 500V
 耐压值: AC 500V
 Currernt Rating: 1 AMP
 额定电流: 1 AMP
 Operating Temperature range: -40°C to +105°C
 适用温度范围: -40°C to +105°C



E-E



印制板安装尺寸 (±0.05)
PCB LAYOUT



84	25.40	36.00	25.40	36.00
68	20.32	31.00	20.32	31.00
52	15.24	25.80	15.24	25.80
44	12.70	23.20	12.70	23.20
32	7.62	17.90	10.16	20.50
28	7.62	18.00	7.62	18.00
20	5.08	15.65	5.08	15.65
PIN	A	B	C	D
	DIMENSION			

未标明公差按公差分段

Linear dimension (Tolerances Standard GB/T 14486-2008)										
variable range	to 6	over 10 to 10	over 30 to 30	over 60 to 60	over 100 to 100	over 160 to 160	to 0.10	to 0.30	to 0.60	
tolerance	±0.20	±0.30	±0.50	±0.70	±1.00	±1.30	±1.60	0.10	0.30	0.60

塑胶材质	电镀处理	UNITS	SCALE	Approved	DESIGN	Product name	PLCC SOCKET CONNECTORS (20P~84P)			
PPS	Tin	MM	2:1	ZHAOZHEN JIANG	CHEN YUN	 深圳市超越世纪电子有限公司	PAGES	1/1	Drawing	A4
公差分段	>10 <10 <3	± 0.30 ± 0.25 ± 0.10	 The third perspective	PARTS DRAWING						